



US00D828559S

(12) **United States Design Patent**
Khubani et al.

(10) **Patent No.:** **US D828,559 S**

(45) **Date of Patent:** **** Sep. 11, 2018**

(54) **ACROCHORDON REMOVAL APPARATUS**

(71) Applicant: **Telebrands Corp.**, Fairfield, NJ (US)

(72) Inventors: **Ajit Khubani**, Saddle River, NJ (US);
Ryan Kelly, Yorktown Heights, NY (US)

(73) Assignee: **Telebrands Corp.**, Fairfield, NJ (US)

(**) Term: **15 Years**

(21) Appl. No.: **29/575,369**

(22) Filed: **Aug. 24, 2016**

(51) **LOC (11) Cl.** **24-02**

(52) **U.S. Cl.**
USPC **D24/146**

(58) **Field of Classification Search**

USPC D24/133, 146, 147, 149, 143; D7/685,
D7/686; D28/55; 606/131, 210, 211;
D8/48, 99, 41, 102, 103, 107
CPC A61B 2017/00761; A61B 17/085; A61B
17/22031; A61B 2017/00747
See application file for complete search history.

(56) **References Cited**

U.S. PATENT DOCUMENTS

D691,266 S * 10/2013 Fink D24/146
D691,721 S * 10/2013 Scheibel D24/146

D731,055 S * 6/2015 Hyde D24/143
D796,040 S * 8/2017 Preis D24/143
D804,025 S * 11/2017 Linnenschmidt D24/143
2016/0143654 A1* 5/2016 Zantop A61B 17/32
606/131

* cited by examiner

Primary Examiner — Thomas Johannes

Assistant Examiner — Samantha Q Lawrence

(74) *Attorney, Agent, or Firm* — Cooper & Dunham LLP

(57) **CLAIM**

The ornamental design for an acrochordon removal apparatus, as shown and described.

DESCRIPTION

FIG. 1 is a front perspective view of an acrochordon removal apparatus in accordance with the present design; FIG. 2 is a back perspective view thereof; FIG. 3 is a back view thereof; FIG. 4 is a front view thereof; FIG. 5 is a left side view thereof; FIG. 6 is a right side view thereof; FIG. 7 is a top view thereof; and, FIG. 8 is a bottom view thereof.

The broken lines shown in FIG. 3 illustrate portions of the acrochordon removal apparatus that form no part of the claimed design.

1 Claim, 3 Drawing Sheets

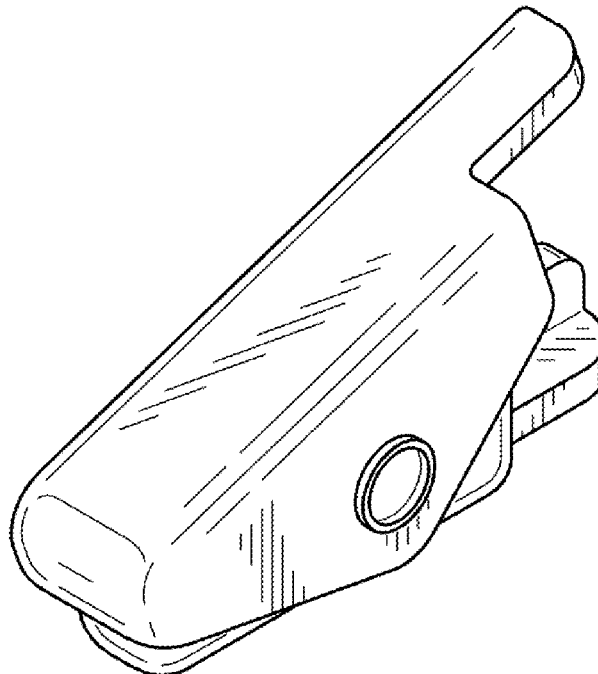


FIG. 1

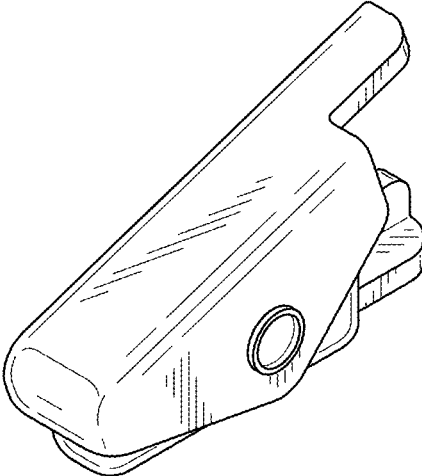


FIG. 2

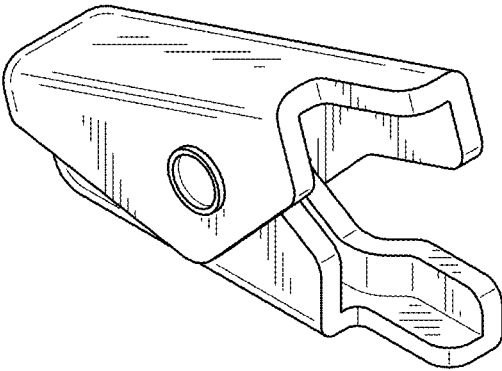


FIG. 3

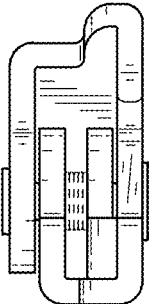


FIG. 4

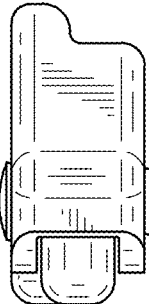


FIG. 5

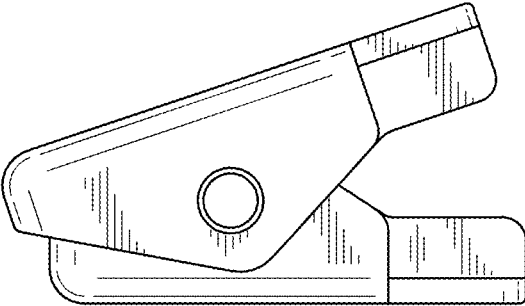


FIG. 6

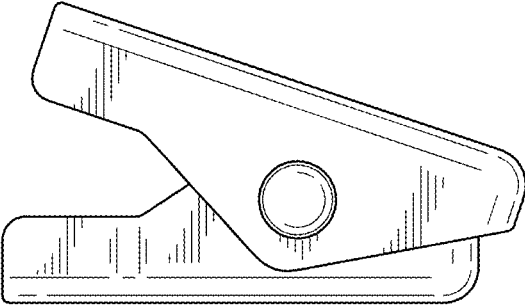


FIG. 7

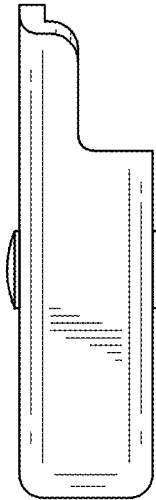


FIG. 8

